

Stainless Steel Ball Valves - with ISO 5211 Pad

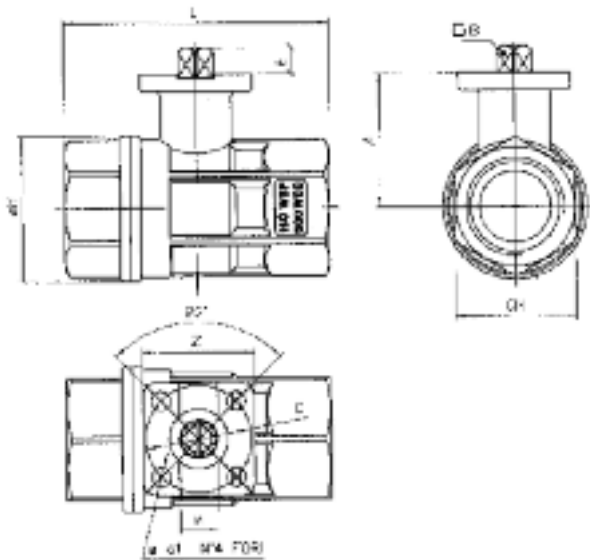
Connections: 1/2, 3/4, 1, 1 1/4 1 1/2, 2

Stainless Steel ball valves with ISO 5211 mounting pad for direct mounting of pneumatic/electric actuators. Body seals energised with Viton 'O' rings for low operating torques.

Only for actuation - no lever available

- Low operating torque
- Full bore
- ISO 5211 Mounting pad for direct mount actuation

Part Number: **703000***



Dimensions (mm) and Pressures														
	Thread	DN	U Bore	L	H	A	B	E	C	d1	Z	Kv	PN	Torque
*04	1/2	15	14.2	67	34.5	41.5	9	9	36	6	38	16.3	64	6 NM
*05	3/4	20	19	78	42	43.5	9	9	36	6	38	29.5	64	6 NM
*06	1	25	24.5	90	51.5	53.5	9	9	36	6	38	43	64	6 NM
*07	1 1/4	32	30	100	64.5	57	9	9	36	6	38	89	64	6 NM
*08	1 1/2	40	38	112	77	74	11	11	50	7	50	230	64	17 NM
*10	2	50	50	135	97	83.3	11	11	50	7	50	265	64	17 NM

Technical Data

Media

Any application with media suitable to material of construction

Operating Pressure

PN64

Operating Temperature

-20°C to +160°C

Flow Rates

Flow rates stated in Kv: Flow coefficient in m³/h at differential pressure of 100kPa

Threads

ISO 7/1 - UNI EN 10266/1 - Rp

Materials

Body: CF8M

Ball: AISI 316

Seals: PTFE with Viton 'O' Ring

Stem: AISI 316

Actuation Details

Refer to chart for torque and pad details

Additional Options



700076 - Female/Female NPT

Special Requests

For assistance, contact our technical office.