

Pneumatically Actuated Three-Way Flanged "WAFER" Ball Valve - Stainless Steel

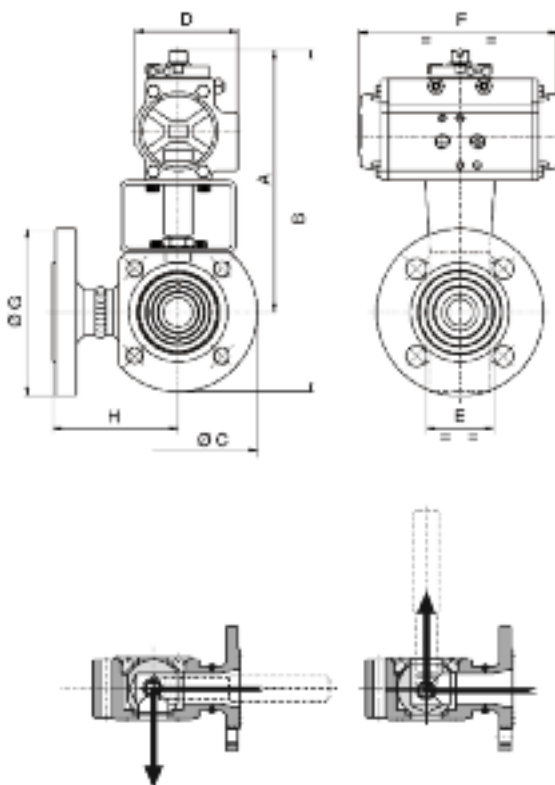
New

3 way wafer ball valve (776007), "L" port, two seats, flanged PN16, in stainless steel AISI 316, REDUCED bore, with pneumatic actuator.

Flow path as detailed below

- 'L' port
- Diverter ball valve
- PN 16 (ANSI 150 on request)

Part Number: **8P0057*** (double acting)
8P0058* (single acting)



Valve with Double Acting Actuator. Types 8P0057

Dimensions (mm)												
	Size	DN	PN	A	B	C	D	E	F	G	H	ACT
*04	1/2	15	16	147	191	89	45	40	110	95	76	DA 32
*05	3/4	20	16	176	225	99	71	40	140	105	82	DA 52
*06	1	25	16	181	235	109	71	46	140	115	86	DA 52
*07	1 1/4	32	16	188	253	130	71	58	140	140	100	DA 52
*08	1 1/2	40	16	214	284	140	81	71	162	150	105	DA 63
*10	2	50	16	237	317	160	95	82	207	165	115	DA 75
*12	2 1/2	65	16	265	355	180	106	106	238	185	125	DA 85
*14	3	80	16	274	374	200	106	122	238	200	150	DA 85
*18	4	100	16	323	433	220	123	152	272	220	159	DA 100

Valve with Spring Return Actuator. Types 8P0058

Dimensions (mm)												
	Size	DN	PN	A	B	C	D	E	F	G	H	ACT
*04	1/2	15	16	171	216	89	71	40	140	95	76	SR 52
*05	3/4	20	16	187	236	99	81	40	162	105	82	SR 63
*06	1	25	16	192	246	109	81	46	162	115	86	SR 63
*07	1 1/4	32	16	199	264	130	81	58	162	140	100	SR 63
*08	1 1/2	40	16	242	312	140	106	71	238	150	105	SR 83
*10	2	50	16	262	342	160	123	82	272	165	115	SR 100
*12	2 1/2	65	16	328	418	180	137	106	328	185	125	SR 115
*14	3	80	16	349	449	200	148	122	366	200	150	SR 125
*18	4	100	16	365	475	220	148	152	366	220	159	SR 125

Technical Data

Operating Conditions

Fluid water at +20°C, actuator air supply
 6 - 7 BAR

Media

Any application with media suitable to material of construction

Operating Pressure

PN16
 Vacuum: Maximum 10⁻³ Torr

Operating Temperature

-20°C to +160°C

Flow Rates

Flow rates stated in data sheet
 776007 page 035

Flanges

PN16
 (ANSI 150 / PN40 on request)

Material

All Wetted Parts: CF8M Stainless Steel
 Main Seals: PTFE (Glass filled)
 PTFE/Carbon Filled PTFE as options
 O Rings: FKM (Viton)

Additional Options

Please refer to 'Accessories' page
 085 - 089



NAMUR solenoid valves



Limit switch box

Special Requests

For assistance, contact our technical office.