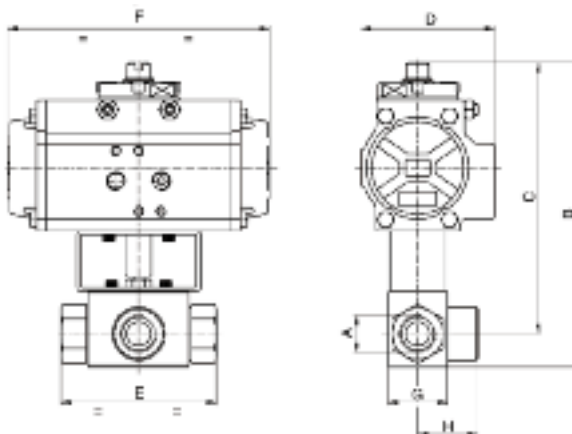


Pneumatically Actuated Three-Way Ball Valve - High Pressure

3 way Ball Valve in CF9SMn28, "L" or "T" port, only diverting, F/F/F, threaded, for high pressure hydraulic applications, with pneumatic actuator.

- High pressure ball valve
- L and T ports
- Heavy duty valve design

Part Number: **8P0153* T - 8P0154* L** (double acting)
8P0155* T - 8P0156* L (single acting)



Valve with Double Acting Actuator. Types 8P00153 (T), 8P00154 (L)

Dimensions (mm)										
	Size/DN/A	PN	B	C	D	E	F	G	H	ACT
*03	3/8	400	170	153	71	73	140	35	37	DA 52
*04	1/2	350	184	167	81	83	162	37	40	DA 63
*05	3/4	350	212	189	95	95	207	45	52	DA 75
*06	1	350	222	193	95	112	207	55	60	DA 75

Valve with Spring Return Actuator. Types 8P00155 (T), 8P00156 (L)

Dimensions (mm)										
	Size/DN/A	PN	B	C	D	E	F	G	H	ACT
*03	3/8	400	197	180	95	73	207	35	37	SR 75
*04	1/2	350	200	182	95	83	207	37	40	SR 75
*05	3/4	350	237	214	123	95	272	45	52	SR 100
*06	1	350	247	218	123	112	272	55	60	SR 100

Technical Data

Operating Conditions

Fluid at +20°C,

Media

Suitable for hydraulic applications for other media refer to Bonomi office

Operating Pressure

Nominal working pressure (PN) in BAR - See chart

Operating Temperature

-20°C to +80°C

Flow Rates

Please refer to Bonomi sales office

Threads

BSP F/F/F (others on request)

Materials

Body/Ball: Steel
 Seats: Polyamide
 'O' Ring: NBR

Additional Options

Please refer to 'Accessories' page 085 - 089



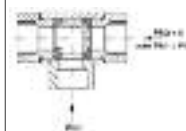
NAMUR solenoid valves



Limit switch box

Special Requests

For assistance, contact our technical office.



The sealing function of BK3/SK3-standard valves are only given when the pressure standing on the closed port is zero or the pressure between the connected ports are higher than the pressure on the closed port
No shut-off position for third port possible! To apply pressure from all ports (PN1_ PN2), a special variant is required. Add A to the order code