

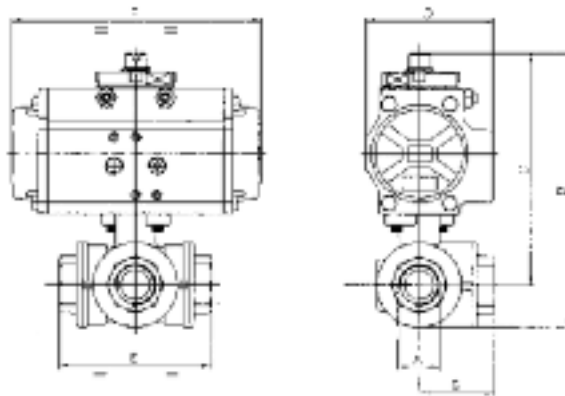


Pneumatically Actuated Three-Way Brass Ball Valves

3 way Brass Ball Valve CW617N (3500-T and 3600-L), seals in PTFE + Viton, Threaded F/F/F, Full bore; T or L port with pneumatic actuator - Not suitable for use with solvents

- Full bore
- Direct mount actuator
- 'L' and 'T' ports

Part Number: **8P0083* T - 8P0084* L** (double acting)
8P0085* T - 8P0086* L (single acting)



Technical Data

Operating Conditions

Fluid water at +20°C, actuator air supply 6 - 7 BAR

Media

Most non-corrosive liquids and gases including air, water, solvents, fuels and propane.

Operating Pressure

Nominal working pressure (PN) in bar - see chart

Operating Temperature

-20°C to + 160°C

Flow Rates

Flow rates stated in data sheet 3500/3600 Page 017

Threads

ISO 7/1 - UNI EN 10226/1- Rp

Materials

Body: Brass, Nickel-plated
 Balls: Brass, hard chromed
 Seal: PTFE and Viton 'O' Rings

Additional Options

Please refer to 'Accessories' page 085 - 089

Valve with Double Acting Actuator. Types 8P0083 (T) 8P0084 (L)

Dimensions (mm)											
Thread	DN	PN	A	B	C	D	E	F	G	ACT	
*02 1/4	8	30	1/4	113	96	45	67	110	34	DA 32	
*03 3/8	10	30	3/8	113	96	45	67	110	34	DA 32	
*04 1/2	15	30	1/2	118	98	45	77	110	39	DA 32	
*05 3/4	20	30	3/4	155	131	71	87	140	44	DA 52	
*06 1	25	16	1	167	137	71	105	140	53	DA 52	
*07 1 1/4	32	10	1 1/4	185	149	71	123	140	62	DA 52	
*08 1 1/2	40	10	1 1/2	218	175	81	139	162	70	DA 63	
*10 2	50	10	2	258	202	95	166	207	83	DA 75	

Valve with Spring Return Actuator. Types 8P0085 (T) 8P0086 (L)

Dimensions (mm)											
Thread	DN	PN	A	B	C	D	E	F	G	ACT	
*02 1/4	8	30	1/4	137	120	71	67	140	34	SR 52	
*03 3/8	10	30	3/8	137	120	71	67	140	34	SR 52	
*04 1/2	15	30	1/2	142	123	71	77	140	39	SR 52	
*05 3/4	20	30	3/4	166	142	81	87	162	44	SR 63	
*06 1	25	16	1	178	148	81	105	162	53	SR 63	
*07 1 1/4	32	10	1 1/4	196	160	81	123	162	62	SR 63	
*08 1 1/2	40	10	1 1/2	246	203	106	139	238	70	SR 85	
*10 2	50	10	2	282	227	123	166	272	83	SR 100	



NAMUR solenoid valves



Limit switch box

Special Requests

For assistance, contact our technical office.

