

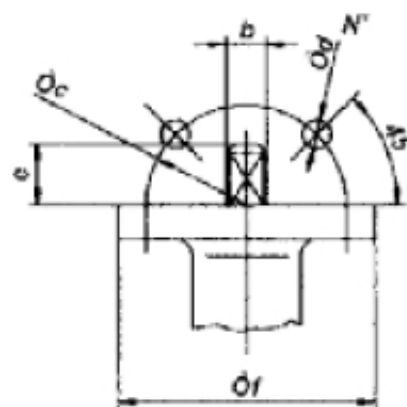
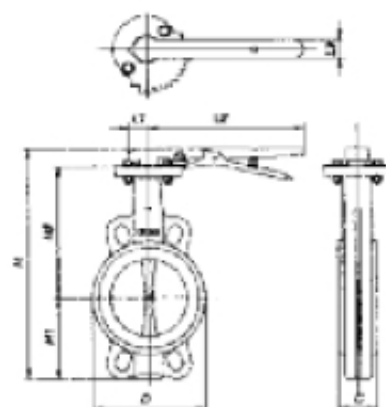
Butterfly Valves - "Wafer" Type with Stainless Steel Disc

Connections: 1 1/4, 1 1/2, 2, 2 1/2, 3, 4, 5, 6, 8, 10, 12

Wafer Butterfly Valve with Handle and Body made of Cast Iron - PN16 and ANSI 150. The Butterfly Valve series Eurofly Wafer has been manufactured to meet the industrial applications of water treatment, fire-fighting and plumbing plants. They can be used for all the applications where fluid regulation is required. The Seat construction is made with a rigid plastic ring covered with thick EPDM or Buna or Viton coating, depending on the media. This system offers a soft and reliable closure, a long cycling life and low torque. Due to the seat geometry it is particularly easy to replace.

- Stainless steel disc
- To suit PN16 - ANSI 150 flanges
- Flow control lever with locking facility
- Various seat options

Part Number: **600105*** Stainless Steel disc / EPDM seat



ISO Mounting Dimensions

Dimensions (mm)						
DN	b (sq.)	C	E	F	D	N°
32	11	50/70	22	90	7/10	4
40	11	50/70	22	90	7/10	4
50	11	50/70	22	90	7/10	4
65	11	50/70	22	90	7/10	4
80	11	50/70	22	90	7/10	4
100	14	70	22	90	10	4
125	14	70	22	90	10	4
150	14	70	22	90	10	4
200	17	102	34.5	150	12	4
250	22	102	34.5	150	12	4
300	27	125	34.5	150	14	4

Dimensions (mm)										
Size	DN	D	H	H1	H2	L1	L2	L3	C	PN
*07 1 1/4	32	75	232	58	141	28	195	28	33	PN16/ANSI 150
*08 1 1/2	40	82	235	58	141	28	195	28	33	PN16/ANSI 150
*10 2	50	96	234	63	141	28	260	28	43	PN16/ANSI 150
*12 2 1/2	65	109	256	72	153	28	260	28	46	PN16/ANSI 150
*14 3	80	126	285	94	158	28	260	28	46	PN16/ANSI 150
*18 4	100	152	317	108	176	28	260	28	52	PN16/ANSI 150
*19 5	125	182	342	120	191	28	260	28	54	PN16/ANSI 150
*20 6	150	207	372	136	203	28	260	28	56	PN16/ANSI 150
*21 8	200	262	450	165	244	45	350	37	58.5	PN16/ANSI 150
*77 10	250	317	518	202	273	45	350	37	66.5	PN16/ANSI 150
*78 12	300	373	588	235	311	45	350	37	76.5	PN16/ANSI 150

Valve design may vary from type shown

Technical Data

Media

Any application with media suitable to material of construction

Operating Pressure

DN32-DN150 16 BAR
DN200-DN300 10 BAR

Operating Temperature

-20°C to +120°C EPDM
-20°C to +100°C NBR
-20°C to +160°C Viton

Flange Rating

To suit PN16 / ANSI 150

Material

Body: Cast Iron EN-GJS 400 Epoxy painted
Disc: A351-CF8M
Stem: AISI 420
Seat: EPDM
Lever: EN GJL 250

Additional Options

600119 - Disc Stainless Steel seat NBR

New
Now available ex-stock



600124 -
Disc Stainless Steel seat Viton



Gearbox Operator

Special Requests

For assistance, contact our technical office.

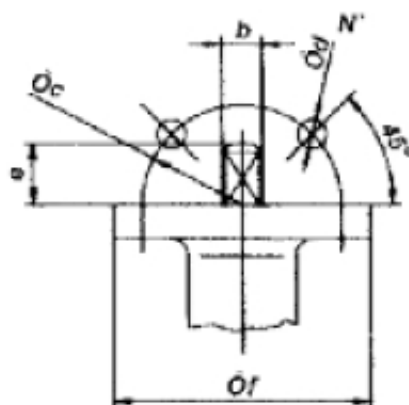
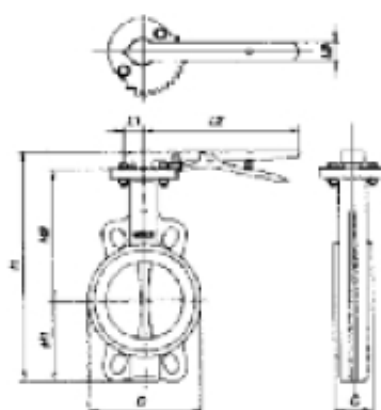
Butterfly Valves - "Wafer" Type with Cast Iron Disc

Connections: 2, 2 1/2, 3, 4, 5, 6, 8, 10, 12

Wafer Butterfly Valve with Handle and Body made of Cast Iron - PN16 and ANSI 150. The Butterfly Valve series Eurofly Wafer has been manufactured to meet the industrial applications of water treatment, fire-fighting and plumbing plants. They can be used for all the applications where fluid regulation is required. The Seat construction is made with a rigid plastic ring covered with thick EPDM or Buna or Viton coating, depending on the media. This system offers a soft and reliable closure, a long cycling life and low torque. Due to the seat geometry it is particularly easy to replace.

- Cast iron RILSAN coated disc
- To suit PN16 - ANSI 150 flanges
- Flow control lever with locking facility
- Various seat options

Part Number: **600104*** Cast Iron disc / EPDM seat



ISO Mounting Dimensions

Dimensions (mm)						
DN	b(sq.)	C	E	F	D	N ^o
50	11	50/70	22	90	7/10	4
65	11	50/70	22	90	7/10	4
80	11	50/70	22	90	7/10	4
100	14	70	22	90	10	4
125	14	70	22	90	10	4
150	14	70	22	90	10	4
200	17	102	34.5	150	12	4
250	22	102	34.5	150	12	4
300	27	125	34.5	150	14	4

Dimensions (mm)											
Size	DN	D	H	H1	H2	L1	L2	L3	C	PN	
*10	2	50	96	234	63	141	28	260	28	43	PN16/ANSI 150
*12	2 1/2	65	109	256	72	153	28	260	28	46	PN16/ANSI 150
*14	3	80	126	285	94	158	28	260	28	46	PN16/ANSI 150
*18	4	100	152	317	108	176	28	260	28	52	PN16/ANSI 150
*19	5	125	182	342	120	191	28	260	28	54	PN16/ANSI 150
*20	6	150	207	372	136	203	28	260	28	56	PN16/ANSI 150
*21	8	200	262	450	165	244	45	350	37	58.5	PN16/ANSI 150
*77	10	250	317	518	202	273	45	350	37	66.5	PN16/ANSI 150
*78	12	300	373	588	235	311	45	350	37	76.5	PN16/ANSI 150

Valve design may vary from type shown

Technical Data

Media

Any application with media suitable to material of construction

Operating Pressure

DN32-DN150 16 BAR
DN200-DN300 10 BAR

Operating Temperature

-20°C to +120°C EPDM
-20°C to +100°C NBR
-20°C to +160°C Viton

Flange Rating

To suit PN16 / ANSI 150

Material

Body: Cast Iron EN-GJS 400 Epoxy painted
Disc: Cast Iron EN-GJS 400 Rilsan painted
Stem: AISI 420
Seat: EPDM
Lever: EN GJL 250

Additional Options

600117 - Disc cast iron, seat NBR
600125 - Disc Cast Iron seat Viton



Gearbox Operator

Special Requests

For assistance, contact our technical office.